

## DA 2570

Extractor unit with energy-efficient LED lighting and light-touch switches for easy use.



- Customised kitchen design - fully integrated 702 wide
- Unique convenience - Con@ctivity 2.0
- Powerful - 600 on the booster setting
- Efficient filtration- 10-ply stainless-steel grease filter
- Safe and easy to clean - Miele CleanCover

<b>Construction type</b>	
Extractor unit	•
<b>Design</b>	
Colour	Stainless steel
RAL colour possible as special order	•
Customisation possible on request	•
<b>Operating modes</b>	
Type of air guide	Convertible
<b>User convenience</b>	
Electronic controls	•
Light-touch switches with LED	•
Power levels (number excl. Booster setting)	3
Booster setting	•
Programmable Booster switch-off	•
Run-on time 5/15 mins.	•
Programmable grease filter saturation indicator	•
Programmable charcoal filter saturation indicator	•
<b>Cleaning convenience</b>	
Easy-to-clean CleanCover hood liner	•
<b>Efficiency and sustainability</b>	
Energy efficiency class	A
Annual energy consumption in kWh/year	51.7
Fluid dynamic efficiency class	A
Lighting efficiency class	A
Grease filtering efficiency class	B
<b>Networking of domestic appliances</b>	
Automatic function Con@ctivity 2.0	•
<b>Filter system</b>	
Dishwasher-proof stainless steel grease filters	2
<b>Lighting</b>	
LED	•
Colour temperature in K	3,000
Light intensity in Lx	300
<b>Fan</b>	
Dual-action fan	•
AC motor	•

## DA 2570

Extractor unit with energy-efficient LED lighting and light-touch switches for easy use.



<b>Air throughput with max. duct diameter in vented mode (not for external version)</b>	
Air throughput in setting 1 (m <sup>3</sup> /h) according to EN 61591	250
Air throughput in setting 2 (m <sup>3</sup> /h) according to EN 61591	300
Air throughput in setting 3 (m <sup>3</sup> /h) according to EN 61591	360
Air throughput in Booster setting (m <sup>3</sup> /h) according to EN 61591	600
Noise power level in setting 1 (dB(A) re 1 pW) according to EN 60704-3	47
Noise power level in setting 2 (dB(A) re 1 pW) according to EN 60704-3	51
Noise power level in setting 3 (dB(A) re 1 pW) according to EN 60704-3	56
Noise power level in Booster setting (dB(A) re 1 pW) according to EN 60704-3	67
Noise pressure level in setting 1 (dB(A) re 20 µPa) according to EN 60704-2-13	32
Noise pressure level in setting 2 (dB(A) re 20 µPa) according to EN 60704-2-13	37
Noise pressure level in setting 3 (dB(A) re 20 µPa) according to EN 60704-2-13	41
Noise pressure level in Booster setting (dB(A) re 20 µPa) according to EN 60704-2-13	52
<b>Air throughput in recirculation mode</b>	
Air throughput in setting 1 (m <sup>3</sup> /h) according to EN 61591	200
Air throughput in setting 2 (m <sup>3</sup> /h) according to EN 61591	250
Air throughput in setting 3 (m <sup>3</sup> /h) according to EN 61591	320
Air throughput in Booster setting (m <sup>3</sup> /h) according to EN 61591	530
Noise power level in setting 1 (dB(A) re 1 pW) according to EN 60704-3	55
Noise power level in setting 2 (dB(A) re 1 pW) according to EN 60704-3	59
Noise power level in setting 3 (dB(A) re 1 pW) according to EN 60704-3	63
Noise power level in Booster setting (dB(A) re 1 pW) according to EN 60704-3	72
Noise pressure level in setting 1 (dB(A) re 20 µPa) according to EN 60704-2-13	39
Noise pressure level in setting 2 (dB(A) re 20 µPa) according to EN 60704-2-13	44
Noise pressure level in setting 3 (dB(A) re 20 µPa) according to EN 60704-2-13	48
Noise pressure level in Booster setting (dB(A) re 20 µPa) according to EN 60704-2-13	57
<b>Safety</b>	
Safety switch-off	•
<b>Technical data</b>	
Canopy width in mm	702
Height of hood carcass in mm	50
Depth of hood carcass in mm	402
Minimum distance above electric hobs in mm	450
Minimum height above gas hob (max. 12.6 kW total power, burner ? 4.5 kW) in mm	650
Net weight in kg	11.6
Length of electrical cable in m	1.5
Total connected load in kW	0.23
Voltage in V	230
Fuse rating in A	10
Number of phases	1

## DA 2570

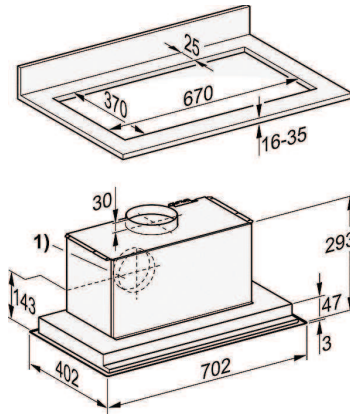
Extractor unit with energy-efficient LED lighting and light-touch switches for easy use.



Installation notes	
Vent connection at top	•
Vent connection at top and rear	•
Diameter of vent connection in mm	150
Accessories supplied	
Non-return flap	•
Wireless stick Con@ctivity 2.0 for KM	XKS 3000 Z

## DA 2570

Extractor unit with energy-efficient LED lighting and light-touch switches for easy use.



DA 2570 (Installation drawing)

1) Vent connection alternatively to rear